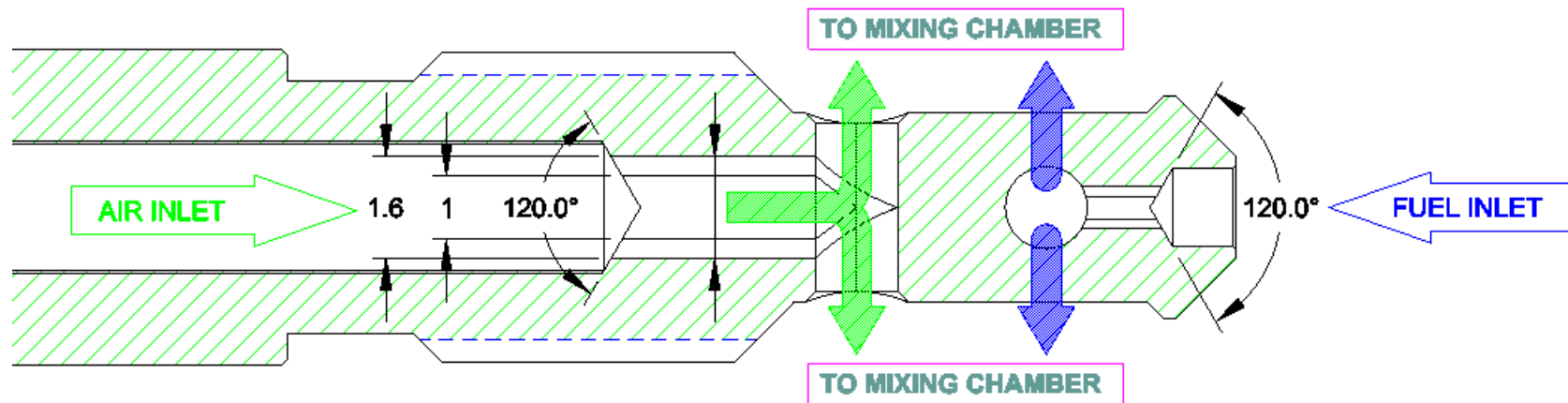


D31 RD 9892 type SI Carb Idle Jet.

120 Deg - as per Standard/ OEM equivalent



65 Deg - increased flow at higher rpm – Special to KMT

